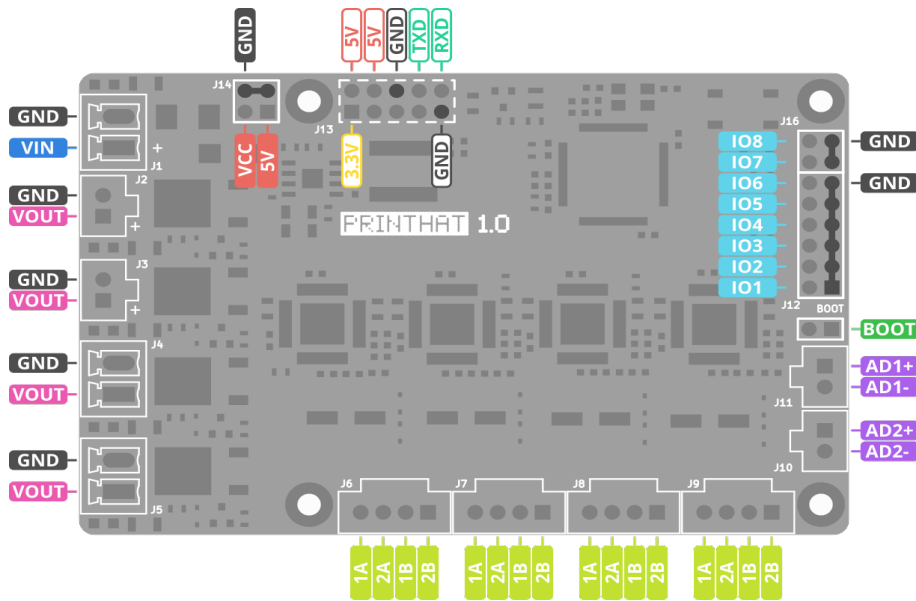


PRINTHAT V1.0

3D PRINTER ADD-ON BOARD FOR THE RASPBERRY PI SINGLE BOARD COMPUTER



*Application specific pinouts are available [online](#)

DESCRIPTION

The prinTHAT is a Raspberry Pi add-on card designed to interface and control 3D printers and small CNC machines.

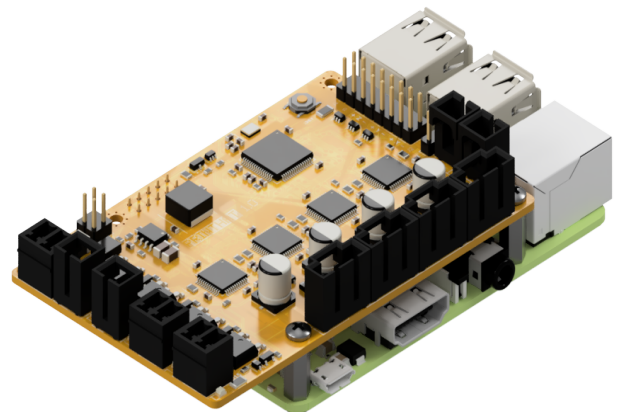
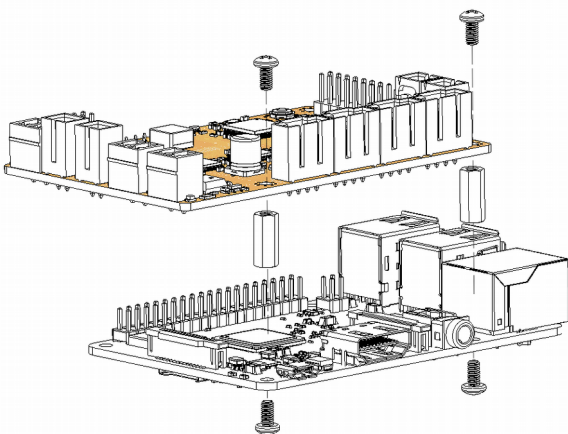
It is specifically designed with 3D print in mind, yet it's flexible enough to operate any stepper motor driven machine.

The board features a powerful STM32F103 32-bit MCU up to 72MHz for time-critical tasks and the following peripherals: 4x TRINAMIC TMC2130 stepper drivers software configurable, 4x PWM loads up to 8A , 2x 12-bit ADC for temperature sensors and 8x configurable digital I/Os.

MAXIMUM RATINGS

Input Voltage	9–26V
VOUT Max Current	10A
5V Output Current	1.5A
Digital I/O (IOx)	0–5V
Analog Inputs (ADx)	0–3.3V

ASSEMBLY INSTRUCTIONS



MOUNTING KIT

2x M2.5x11 hex spacers – 4x M2.5x5 Phillips screws

MATING CONNECTORS

J1, J4, J5 Molex 395100002 – J2, J3, J10, J11 Molex 50579402 (SL Series) – J6, J7, J8, J9 Molex 50579404 (SL Series)